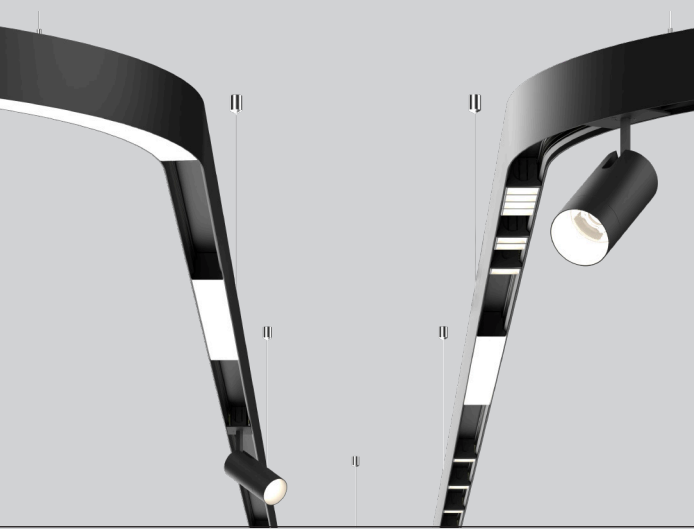


R-LINE[®] TRACK



CERTIFICATIONS & COMPLIANCE



FEATURES

5 YEAR
limited
led warranty

CHANNEL



R1 R2 R3

PERFORMANCE

- Modular 48V track system
- Combine linear, curve, and track
- Patented technology
- Field cuttable track

CONFIGURATIONS



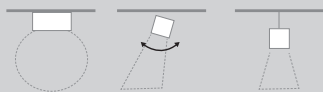
Linear Corner Curve

MOUNTING



Trimless Recessed Surface Suspended Indirect Suspended

INSET OPTIONS



Opal Spotlight Decorative

Catalog Number Example

RLTR-R1-PDT-BLBL-48V-010V-1C-ST-02'

A B C D E F G I

A PRODUCT

R1 Track 1" track	R L T R-R 1
R2 Track 2" track	R L T R-R 2
R3 Track H track	R L T R-R 3

R3 track is only available as a pendant

B MOUNTING

Recessed Trimless	R T L
Surface Mount	S U R
Pendant Cable	P D T
Pendant Stem <small>coming soon</small>	S T M
Custom Mount	X X X

custom mount, please contact BASO

C HOUSING COLOR

Black RAL9005	B L _ _
White RAL9016	W H _ _
Custom RAL	X X _ _

custom RAL, please contact BASO

PENDANT HARDWARE COLOR

sub option: pendant cable or stem only

Black	_ _ B L
White	_ _ W H

None recessed or surface mount

power feed, stem & canopy cover only; AC cable & barrel mount come in silver

D VOLTAGE

48V low constant voltage	4 8 V
--------------------------	-------

remote driver required (see driver cutsheet)

E DIMMING

0-10V 1% dimming	0 1 0 V
------------------	---------

F CIRCUIT

1 Circuit 2x48V 1xPWM	1 C
2 Circuit 4x48V 2xPWM	2 C
4 Circuit 8x48V 4xPWM	4 C

4 circuit R3 track only; for EMC contact BASO

G SHAPE/PATTERN

Linear	S T
L-Shape (90°)	L S
□-Shape rectangular shape (90°)	R S
U-Shape (90°)	U S
Z-Shape (90°)	Z S
Wall to Ceiling (90°)	W C
Custom Pattern	C P

custom angles and patterns, please contact BASO

H CORNERS

No Corners	*
Mitered 90°	M 9 0
Curved Radius 18"/90°	R 1 8
Curved Radius 24"/90°	R 2 4
Curved Radius 36"/90°	R 3 6
Custom	X X

custom radius and angles, please contact BASO
*leave empty

I DIMENSIONS

2' 0" min. length	0 2'
4' 0"	0 4'
6' 0"	0 6'
8' 0"	0 8'

Shape / Pattern	_ _ x _ _ x _ _
Custom	_ _ ' _ _ "

custom patterns, please contact BASO

J FIELD CUT

Field Cuttable Track	F
----------------------	---

please see next page for limitations

K CCEA (optional)

CCEA Rated (Chicago Plenum)	C P
-----------------------------	-----

recessed and surface mount only

Optional Accessories

ships separately

L BLIND COVERS

Blind Cover 1" flush with R1 track	B 1
------------------------------------	-----

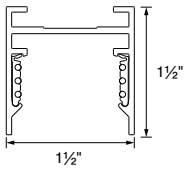
includes field cuttable blind cover (end to end)

+ TRACK WITH UPLIGHT

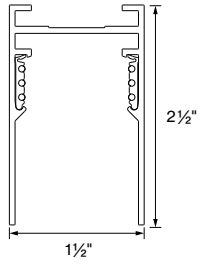
see R-Line Uplight cutsheet

DIMENSIONS

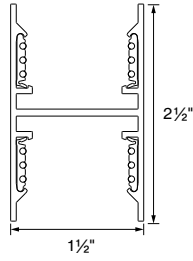
R1



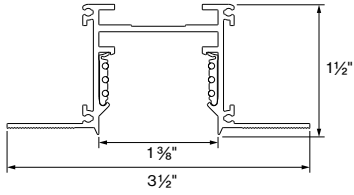
R2



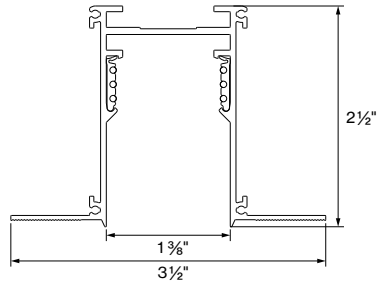
R3



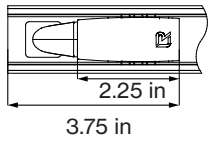
R1 (Recessed Trimless)



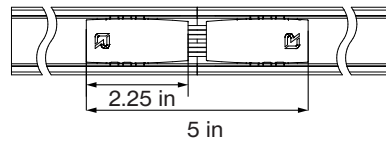
R2 (Recessed Trimless)



POWER FEED

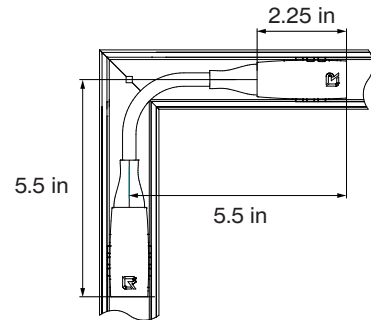


ELECTRICAL CONNECTOR



ELECTRICAL CONNECTOR

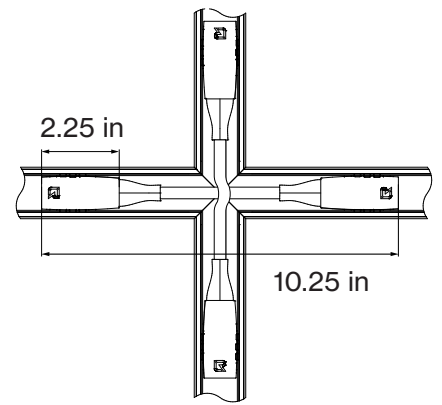
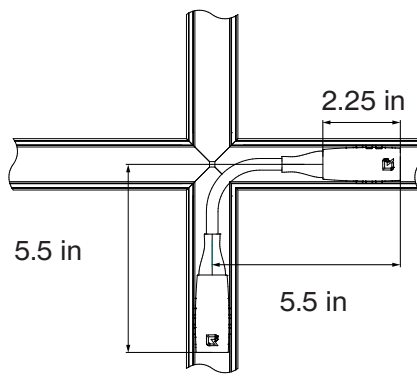
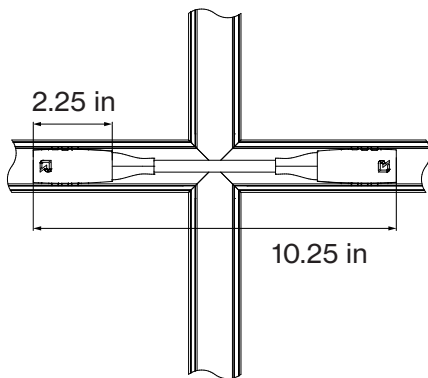
L-Configuration



Insets cannot be placed on top of power feeds and electrical connectors.

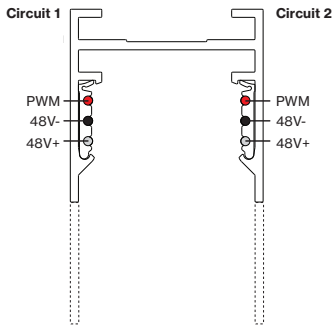
ELECTRICAL CONNECTOR

X-Configuration

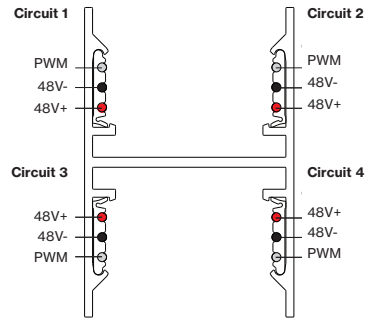


POWER TRACK CIRCUITRY

R1/R2

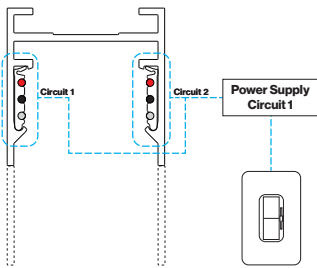


R3

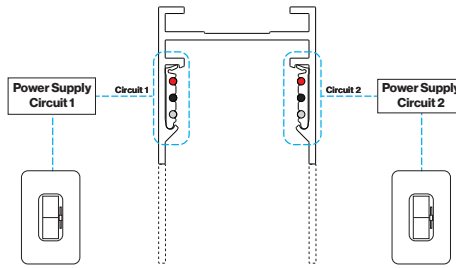


CIRCUIT DIAGRAM

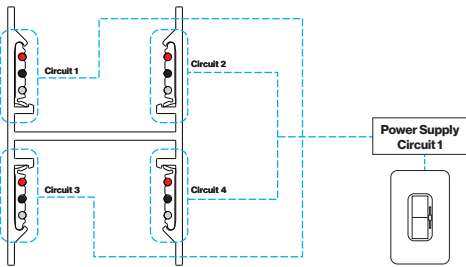
R1/R2 Single Circuit



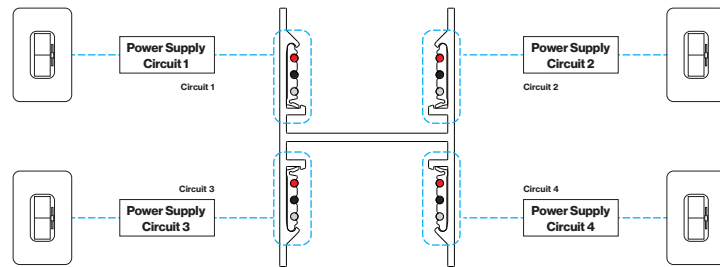
R1/R2 Two Circuit



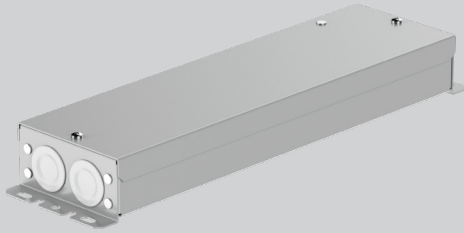
R3 Single Circuit



R1/R2 Two Circuit



R-LINE® POWER SUPPLY



CERTIFICATIONS & COMPLIANCE



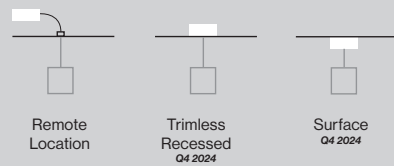
FEATURES

5 YEAR
limited
led warranty

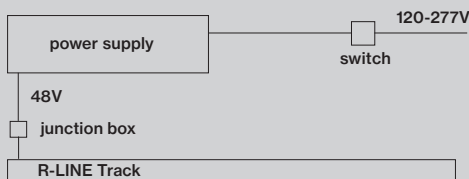
PERFORMANCE

- Proprietary 48V driver with 1% dimming technology
- UL rated enclosure
- Short circuit protection
- Various mounting options (*coming soon*)

MOUNTING



REMOTE DRIVER



Catalog Number Example

RLPS-REM-TR-1C-UNV-48V-100W-010V

A B D E F G H I

A SYSTEM

R-LINE R L P S

B MOUNTING

Remote Box R E M
Mud-in Box coming soon R T L
Surface Mtd. Box coming soon S U R

C HOUSING COLOR

Raw B L
Black surface mount only B L
White surface mount only W H

remote box & mud-in only available in raw

D TYPE

Track T R
Integrated Uplight (100W) U P

track & uplight cannot be powered combined

E CIRCUIT

1 Circuit 1 C
2 Circuit 2 C

each track circuit needs its own driver

F INPUT VOLTAGE

120 - 277V U N V

G OUTPUT VOLTAGE

48V low constant voltage 4 8 V
3 pole connection 48V+ / 48V- / PVM

H CAPACITY

60W 0 6 0 W
100W 1 0 0 W
2x60W 1 2 0 W
2x100W 2 0 0 W

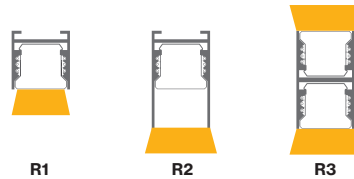
I DIMMING

No Dimming N O D
0-10V logarithmic, 1% dimming 0 1 0 V
0-10V logarithmic, dim-to-off - coming soon D 1 0 V
for 0-10V linear dimming curve contact BASO

J CCEA coming soon

CCEA Rated (Chicago Plenum) C P
remote box & mud-in only

Track T R



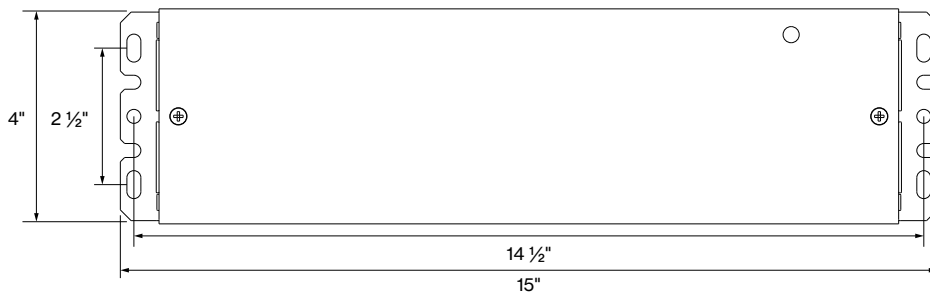
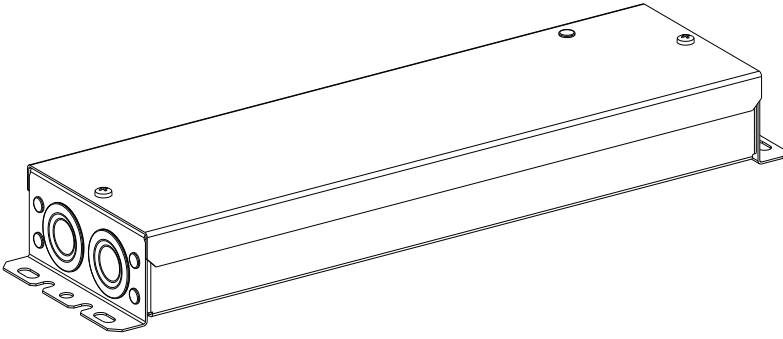
Integrated Uplight (100W) U P

Track & Uplight cannot be powered combined
R3 upper track "TR" Power Supply required



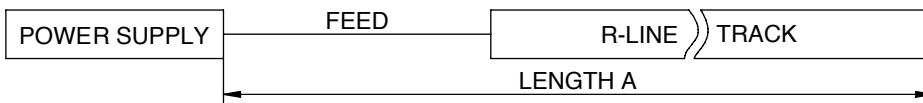
BASO
basolighting.com

DIMENSIONS



WIRING DIAGRAM

LENGTH A (see diagram below)					
	12 AWG	14 AWG	16 AWG	18 AWG	20 AWG
60W	150'	150'	90'	60'	40'
100W	90'	90'	60'	40'	20'



* Due to voltage drop and to fulfill EMC requirements, total fixture power [W] must be between 60% & 95% of the drivers capacity.

Calculations based at max capacity of the driver.

**Please check distance limits (voltage drop table)

- Max possible fixture power < 100W.